

BS-AQ29 is a high-precision quartz flexible accelerometer.



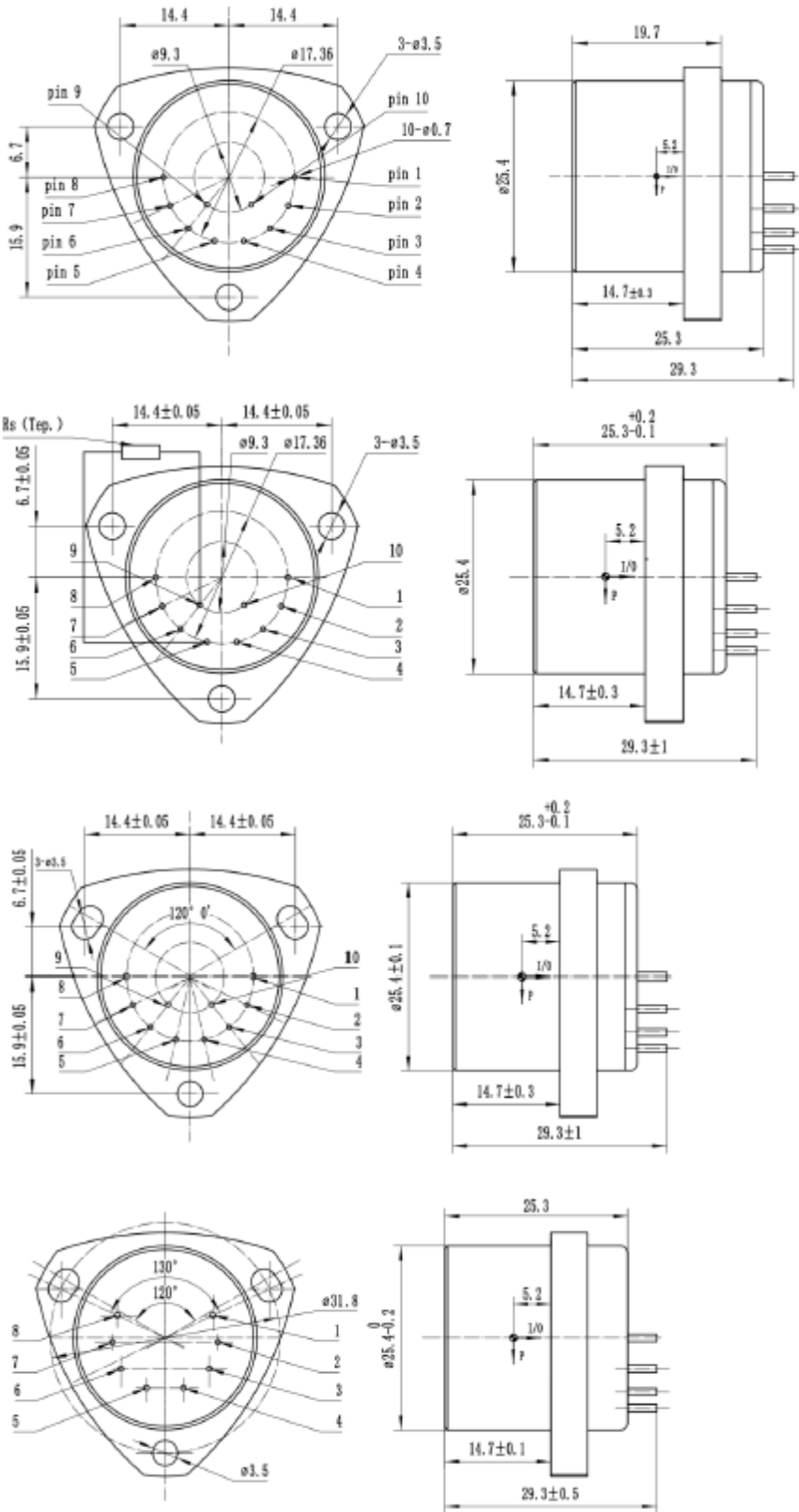
- Excellent long-term stability
- High reliability
- Current output
- Two housing available

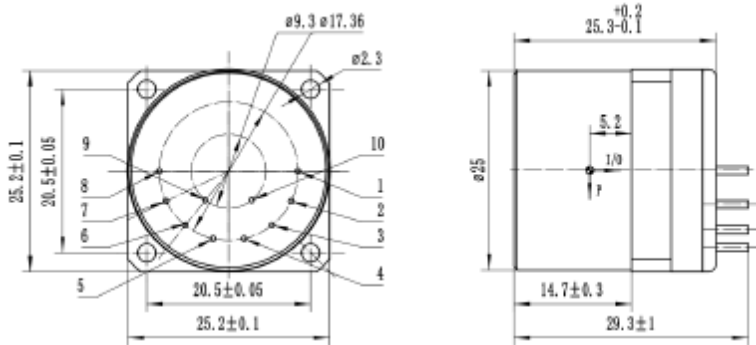
The series includes three models:

- BS-AQ29A-50-A1ES
- BS-AQ29B-50-A1ES
- BS-AQ29C-50-A1ES

S/No	Parameters	BS-AQ29A	BS-AQ29B	BS-AQ29C
1	Range	±50g	±50g	±50g
2	Threshold /Resolution	1µg	2µg	3µg
3	Bias k0/k1	≤±2mg	≤±3mg	≤±5 mg
4	Scale factor k1	1.05~1.30 mA/g	1.05~1.30 mA/g	1.05~1.30 mA/g
5	Class II nonlinearity coefficient k2/k1	≤±10µg /g ²	≤±15µg /g ²	≤±20µg /g ²
6	0g 4 hours short time stability	≤10 µg	≤10µg	≤15 µg
7	1g 4 hours short time stability	≤10 ppm	≤10 ppm	≤15 ppm
8	Bias drift Sigma k0(1σ, one month)	≤10 µg	≤20 µg	≤30 µg
9	Repeatability of scale factor Sigma k1/k1(1σ, one month)	≤15ppm	≤30 ppm	≤50 ppm
10	Class II nonlinearity Coefficient repeatability k2/k1(1σ, one month)	≤±10 µg /g ²	≤±20 µg /g ²	≤±30 µg /g ²
11	Bias thermal coefficient	≤±10 µg /°C	≤±30 µg /°C	≤±50 µg /°C
12	Scale factor thermal coefficient	≤±10 ppm /°C	≤±30 ppm /°C	≤±50 ppm /°C
13	Noise (sample resistance 840Ω)	≤5mv	≤8.4mv	≤8.4mv
14	Natural Frequency	400~800 Hz	400~800 Hz	400~800 Hz
15	Bandwidth	800~2500 Hz	800~2500 Hz	800~2500 Hz
16	Vibration	6g(20-2000Hz)	6g(20-2000Hz)	6g(20-2000Hz)
17	Shock	100g,8ms,1/2sin	100g,8ms,1/2sin	100g,8ms,1/2sin
18	Temperature range(Operating)	-55~+85°C	-55~+85°C	-55~+85°C
19	Temperature range(saved)	-60~+120°C	-60~+120°C	-60~+120°C
20	Power	±12~±15V	±12~±15V	±12~±15V
21	Consume current	≤±20mA	≤±20mA	≤±20mA
22	Temp. sensor	Option	Option	Option
23	Size	Φ25.4X30mm	Φ25.4X30mm	Φ25.4X30mm
24	Weight	≤80g	≤80g	≤80g

Housings available:





C O N T A C T
BLITZSensor

Info@blitz-sensor.com