



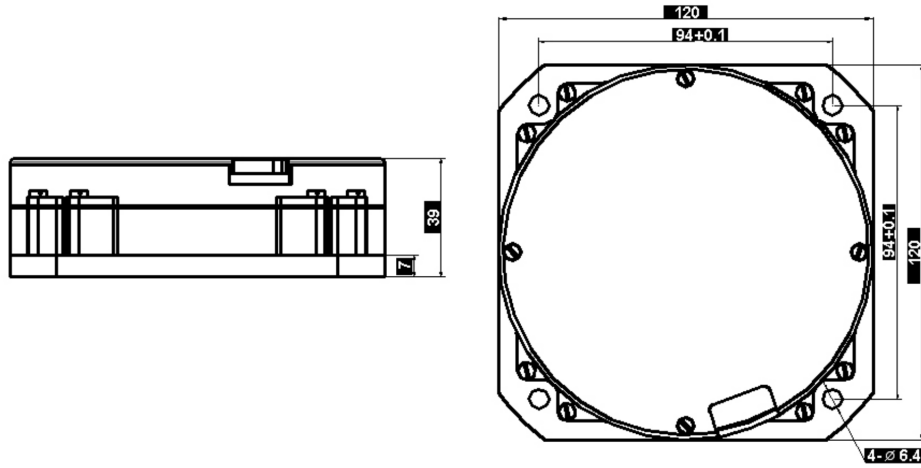
BS-FU29 is a series of single-axis fiber optic gyroscope

- Long lifespan
- High stability
- High resistance to interference
- Size 120x120x39.5 mm

The series includes four models:

- BS-FU29A-5-D1EC
- BS-FU29B-5-D1EC
- BS-FU29C-5-D1EC
- BS-FU29D-5-D1EC

Project	unit	BS-FU29A-5-D1EC	BS-FU29B-5-D1EC	BS-FU29C-5-D1EC	BS-FU29D-5-D1EC
Measuring range	°/s	-500~+500	-500~+500	-500~+500	-500~+500
Zero offset stability	°/h	≤ 0.003	≤ 0.008	≤ 0.01	≤ 0.03
Zero bias repeatability	°/h	≤0.003	≤ 0.008	≤0.01	≤0.03
Random walk coefficient	°/√h	≤0.0004	≤0.0008	≤0.001	≤0.003
Scale factorNonlinear	ppm	≤5	≤10	≤20	≤ 30
Scale factorRepeatability	ppm	≤ 5	≤10	≤20	≤ 30
Scale factorAsymmetry	ppm	≤5	≤10	≤20	≤30
Start Time	s	≤1			
bandwidth	Hz	>100			
power supply	V	-5,+5			
power	W	≤6			
Operating temperature	°C	-40~+65			
storage temperature	°C	-45~+85			
vibration	Hz, g <sup>2</sup> /Hz	20~2000,0.06			
Shock	g, ms	30,11			
Data refresh rate	Hz	200~500			
Baud rate	bps	115200~921600			
outputmethod	/	Broadcast (default) / triggered (custom)			
Interface level	/	RS-422			
Connector	/	J30J-15TJL			
shape size	mm	Φ120×39.5			



C O N T A C T  
**BLITZ**Sensor

[Info@blitz-sensor.com](mailto:Info@blitz-sensor.com)