



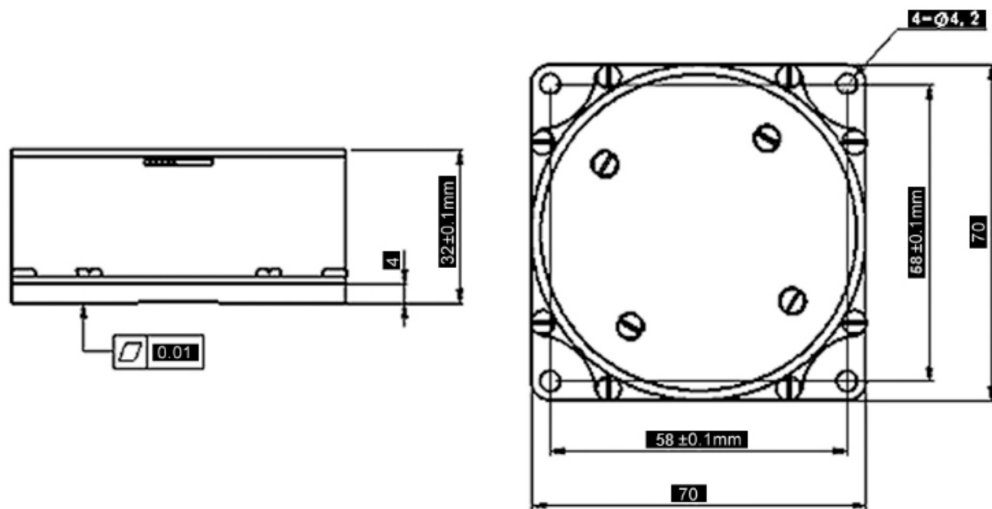
BS-FU32 is a series of single-axis fiber optic gyroscope

- Long lifespan
- High stability
- High resistance to interference
- Size 70x70x32 mm

The series includes four models:

- BS-FU32A-8-D1EC
- BS-FU32B-8-D1EC
- BS-FU32C-8-D1EC
- BS-FU32D-8-D1EC

Project	unit	BS-FU32A-8-D1EC	BS-FU32B-8-D1EC	BS-FU32C-8-D1EC	BS-FU32D-8-D1EC
Measuring range	°/s	-800~+800			
Bias stability	°/h	≤ 0.05	≤ 0.2	≤ 0.5	≤ 0.8
Bias repeatability	°/h	≤ 0.05	≤ 0.2	≤ 0.5	≤ 0.8
Random walk coefficient	°/√h	≤ 0.005	≤ 0.02	≤ 0.05	≤ 0.08
Scale factorNonlinear	ppm	≤ 50	≤ 60	≤ 70	≤ 100
Scale factorRepeatability	ppm	≤ 50	≤ 60	≤ 70	≤ 100
Scale factorAsymmetry	ppm	≤ 50	≤ 60	≤ 70	≤ 100
Start Time	s	≤ 1			
bandwidth	Hz	> 200			
power supply	V	-5,+5			
power	W	≤ 6			
Operating temperature	°C	-40~+65			
storage temperature	°C	-45~+85			
vibration	Hz, g ² /Hz	20~2000,0.06			
Shock	g, ms	30,11			
Data refresh rate	Hz	200~2000			
Baud rate	bps	115200~921600			
outputmethod	/	Broadcast (default) / triggered (custom)			
Interface level	/	RS-422			
Connector	/	J30J-15TJL			
shape size	mm	Φ70×32			



C O N T A C T
BLITZSensor

Info@blitz-sensor.com