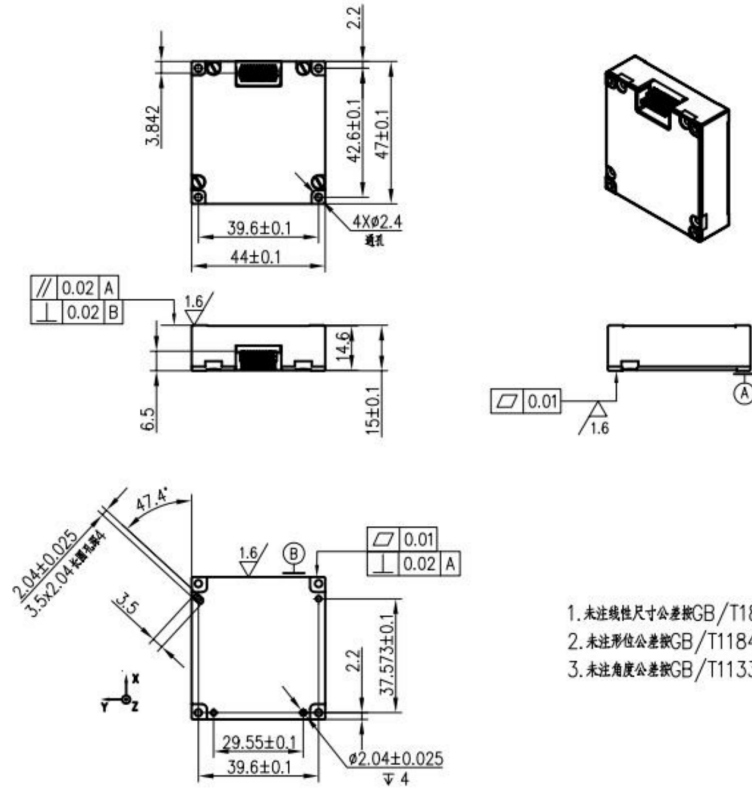




BS-IC24HA-M-D6EC is a MEMS inertial measurement unit (IMU)

- Analog of ADIS 16488, 16497
- Models with other ranges are available
- Models with built-in barometer and magnetometer are available

	Parameter	Test conditions	Typ. value	Unit
Gyroscope	Dynamic measuring range		±450	°/s
	Bias instability	Allan variance, better than	0.3	°/h
	Random walk		0.15	°/√h
	Scale factor repeatability		0.01	%
	Scale factor nonlinearity		0.01	%
	Bandwidth	-3 dB	250	Hz
Accelerometer	Dynamic measuring range		±20	g
	Bias stability	Allan variance	2	μg
	Random walk		0.029	m/s/√h
	Scale factor repeatability		0.1	%
	Scale factor nonlinearity		0.1	%
	Bandwidth		250	Hz
	Communication interface		1-way SPI	
	Voltage	DC	3.3±10%	V
	Working temperature		-40...+85	°C
	Dimensions		47x44x15	mm
	Weight		50	g



1. 未注线性尺寸公差按GB/T1804-m.
2. 未注形位公差按GB/T1184-k.
3. 未注角度公差按GB/T11335-m.

C O N T A C T  
**BLITZSensor**

Info@blitz-sensor.com